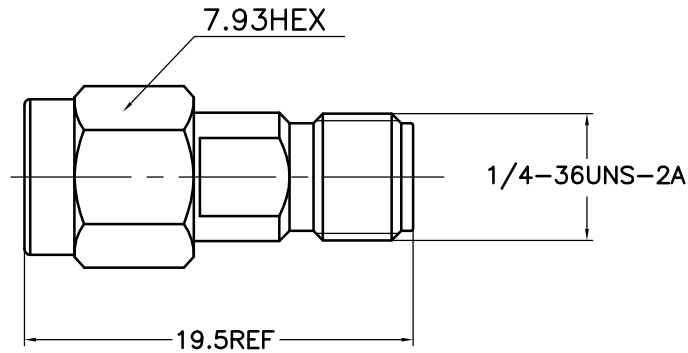


THIS DRAWING UNPUBLISHED.

RELEASED FOR PUBLICATION

LOC	DIST
-	-

REVISIONS			DATE	DWN	APVD
P	LTR				
-	-		-	-	-



NOTES:

1.ELECTRICAL:

- 1.1 IMPEDANCE: 50Ω
- 1.2 INSULATION RESISTANCE:5000MΩ MIN
- 1.3 FREQUENCY RANGE: DC~40GHz
- 1.4 DIELECTRIC WITHSTANDING VOLTAGE: 1000V MAX AT SEA LEVEL
- 1.5 VSWR: 1.25:1 Max@DC~40GHz
- 1.6 INSERTION LOSS: 0.6dB Max@40GHz

2.ENVIRONMENTAL:

TEMPERATURE RANGE: -55° to +165°

3.MATERIAL AND FINISH:

BODY: STAINLESS STEEL TYPE 303, PASSIVATE  
 CENTER CONTACT: BERYLLIUM COPPER,  
 GOLD PLATING  
 DIELECTRIC: PEEK, N/A

THIS DRAWING IS A CONTROLLED DOCUMENT.		DWN DWP 10/02/2000	Micable Inc.		
		CHK			
DIMENSIONS MM		TOLERANCES UNLESS OTHERWISE SPECIFIED:		NAME 2.92 mm Male TO 2.92 mm Female Adapter	
		0 PLC ±0.25	PRODUCT SPEC		SIZE A3
		1 PLC ±0.15	APPLICATION SPEC		
MATERIAL SEE TABLE		2 PLC ±0.12	WEIGHT		CAGE CODE 00779
		3 PLC ±	CUSTOMER DRAWING		DRAWING NO 20120003
		4 PLC ±	SCALE 4:1		SHEET 1 OF 1
		ANGLES ±1°	RVE 1		