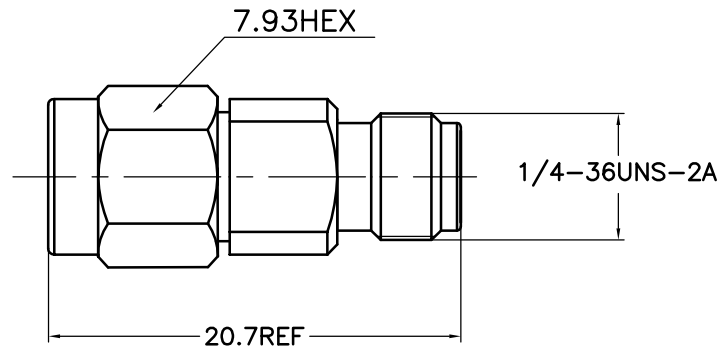


THIS DRAWING UNPUBLISHED.

RELEASED FOR PUBLICATION

LOC		DIST		REVISIONS			DATE	DWN	APVD
P	LTR								
-	-	-	-	-	-	-	-	-	



NOTES:

1.ELECTRICAL:

- 1.1 IMPEDANCE: 50Ω
- 1.2 INSULATION RESISTANCE:5000MΩ MIN
- 1.3 FREQUENCY RANGE: DC~34GHz
- 1.4 DIELECTRIC WITHSTANDING VOLTAGE: 1000V MAX AT SEA LEVEL
- 1.5 VSWR: 1.25:1 Max@DC~34GHz
- 1.6 INSERTION LOSS: 0.5dB Max@34GHz

2.ENVIRONMENTAL:

TEMPERATURE RANGE: -55° to +165°

3.MATERIAL AND FINISH:

BODY: STAINLESS STEEL TYPE 303, PASSIVATE
 CENTER CONTACT: BERYLLIUM COPPER,
 GOLD PLATING
 DIELECTRIC: PEEK, N/A

THIS DRAWING IS A CONTROLLED DOCUMENT.		DWN DWP	18/02/2008	Micable Inc.	
		CHK			
DIMENSIONS MM	TOLERANCES UNLESS OTHERWISE SPECIFIED:	APVD		NAME	
	0 PLC ±0.25 1 PLC ±0.15 2 PLC ±0.12 3 PLC ± 4 PLC ± ANGLES ±1°	PRODUCT SPEC		3.5 mm Male TO 3.5 mm Female Adapter	
MATERIAL	FINISH	APPLICATION SPEC		SIZE	CAGE CODE
SEE TABLE	SEE TABLE	WEIGHT		A3	00779
		CUSTOMER DRAWING		DRAWING NO	20110002
		SCALE	4: 1	SHEET	1 OF 1
				RVE	1