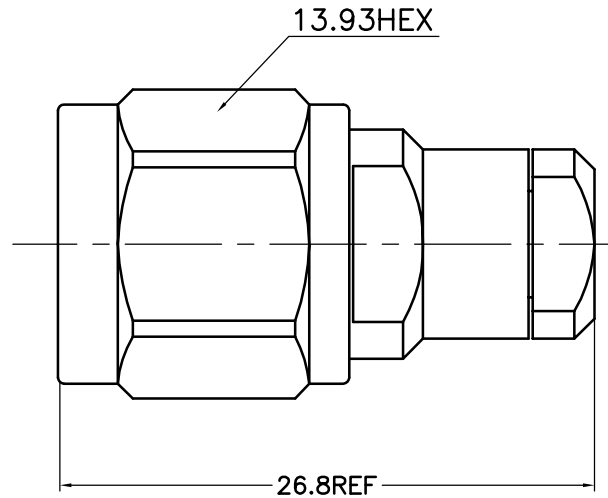


THIS DRAWING UNPUBLISHED.

RELEASED FOR PUBLICATION

LOC		DIST		REVISIONS			DATE	DWN	APVD
P	LTR								
-	-	-	-	-	-	-	-	-	



NOTES:

1.ELECTRICAL:

- 1.1 IMPEDANCE: 50Ω
- 1.2 INSULATION RESISTANCE:5000MΩ MIN
- 1.3 FREQUENCY RANGE: DC~18GHz
- 1.4 DIELECTRIC WITHSTANDING VOLTAGE: 1500V MAX AT SEA LEVEL
- 1.5 VSWR≤1.20:1@18GHz
- 1.6 INSERTION LOSS: 0.05√FREQUENCY

2.ENVIRONMENTAL:

TEMPERATURE RANGE: -55° to +165°

3.MATERIAL AND FINISH:

BODY: STAINLESS STEEL TYPE 303, PASSIVATE  
 NUT: STAINLESS STEEL TYPE 303, PASSIVATE  
 CENTER CONTACT: BERYLLIUM COPPER,  
 GOLD PLATING  
 DIELECTRIC: PTFE, N/A

THIS DRAWING IS A CONTROLLED DOCUMENT.		DWN DWP	18/07/2008	Micable Inc.		
		CHK				
DIMENSIONS MM	TOLERANCES UNLESS OTHERWISE SPECIFIED:	APVD		NAME		
	0 PLC ±0.25	PRODUCT SPEC		TNC PLUG TO		
	1 PLC ±0.15	APPLICATION SPEC		141 CABLE		
	2 PLC ±0.12	SIZE	CAGE CODE	DRAWING NO		
	3 PLC ±	A3	00779	20100008		
	4 PLC ±	WEIGHT				
	ANGLES ±1°	CUSTOMER DRAWING		SCALE	SHEET	OF
MATERIAL	FINISH			4: 1	1	1
SEE TABLE	SEE TABLE			RVE	1	