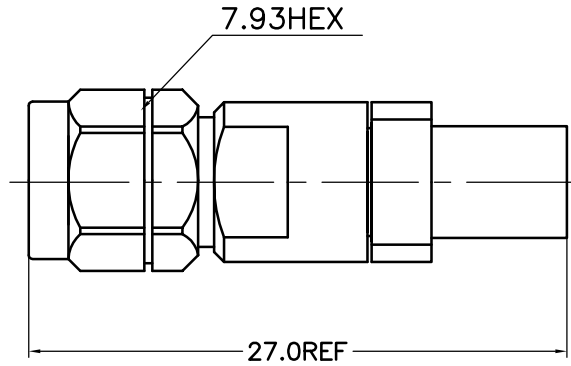


THIS DRAWING UNPUBLISHED.

RELEASED FOR PUBLICATION

| LOC | | DIST | | REVISIONS | | | DATE | DWN | APVD |
|-----|-----|------|---|-----------|---|---|------|-----|------|
| P | LTR | | | | | | | | |
| - | - | - | - | - | - | - | - | - | |



NOTES:

1.ELECTRICAL:

- 1.1 IMPEDANCE: 50Ω
- 1.2 INSULATION RESISTANCE: 5000MΩ MIN
- 1.3 FREQUENCY RANGE: DC~40GHz
- 1.4 DIELECTRIC WITHSTANDING VOLTAGE: 1000V MAX AT SEA LEVEL
- 1.5 VSWR ≤ 1.2:1@40GHz
- 1.6 INSERTION LOSS: 0.05 √FREQUENCY

2.ENVIRONMENTAL:

TEMPERATURE RANGE: -55° to +165°

3.MATERIAL AND FINISH:

BODY: STAINLESS STEEL TYPE 303, PASSIVATE
 NUT: STAINLESS STEEL TYPE 303, PASSIVATE
 CENTER CONTACT: BERYLLIUM COPPER,
 GOLD PLATING
 DIELECTRIC: PEEK, N/A

| | | | | | | | |
|--|--|--|------------|--|-----------|--------------|-------|
| THIS DRAWING IS A CONTROLLED DOCUMENT. | | DWN DWP | 28/07/2008 | Micable Inc. | | | |
| | | CHK | | | | | |
| DIMENSIONS MM | | TOLERANCES UNLESS OTHERWISE SPECIFIED: | | NAME 2.4 mm PLUG TO IW1501 CABLE | | | |
| | | 0 PLC | ±0.25 | PRODUCT SPEC | | | |
| | | 1 PLC | ±0.15 | APPLICATION SPEC | | | |
| MATERIAL | | FINISH | | SIZE | CAGE CODE | DRAWING NO | |
| SEE TABLE | | SEE TABLE | | A3 | 00779 | 20100006 | |
| CUSTOMER DRAWING | | | | SCALE | 4: 1 | SHEET 1 OF 1 | RVE 1 |