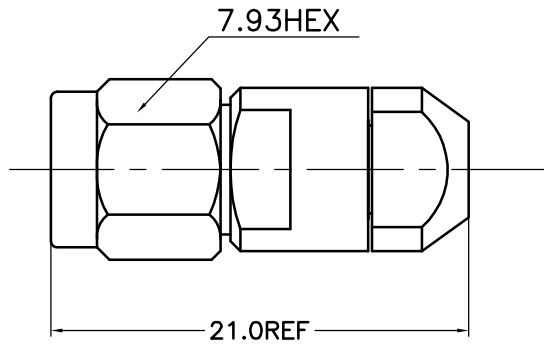


THIS DRAWING UNPUBLISHED.

RELEASED FOR PUBLICATION

LOC		DIST		REVISIONS			DATE	DWN	APVD
P	LTR								
-	-	-	-	-	-	-	-	-	



NOTES:

1.ELECTRICAL:

- 1.1 IMPEDANCE: 50Ω
- 1.2 INSULATION RESISTANCE:5000MΩ MIN
- 1.3 FREQUENCY RANGE: DC~40GHz
- 1.4 DIELECTRIC WITHSTANDING VOLTAGE: 1000V MAX AT SEA LEVEL
- 1.5 VSWR≤1.25:1@40GHz
- 1.6 INSERTION LOSS: 0.05√FREQUENCY

2.ENVIRONMENTAL:

TEMPERATURE RANGE: -55° to +165°

3.MATERIAL AND FINISH:

BODY: STAINLESS STEEL TYPE 303, PASSIVATE  
 NUT: STAINLESS STEEL TYPE 303, PASSIVATE  
 CENTER CONTACT: BERYLLIUM COPPER,  
 GOLD PLATING  
 DIELECTRIC: PEEK, N/A

THIS DRAWING IS A CONTROLLED DOCUMENT.		DWN DWP	28/07/2008	Micable Inc.	
		CHK			
DIMENSIONS MM	TOLERANCES UNLESS OTHERWISE SPECIFIED: 0 PLC ±0.25 1 PLC ±0.15 2 PLC ±0.12 3 PLC ± 4 PLC ± ANGLES ±1°	APVD		NAME 2.92mm PLUG TO 085 CABLE	
		PRODUCT SPEC		SIZE A3	
MATERIAL SEE TABLE	FINISH SEE TABLE	APPLICATION SPEC		CAGE CODE 00779	DRAWING NO 20100003
CUSTOMER DRAWING			WEIGHT	SCALE 4: 1	SHEET 1 OF 1
				RVE 1	