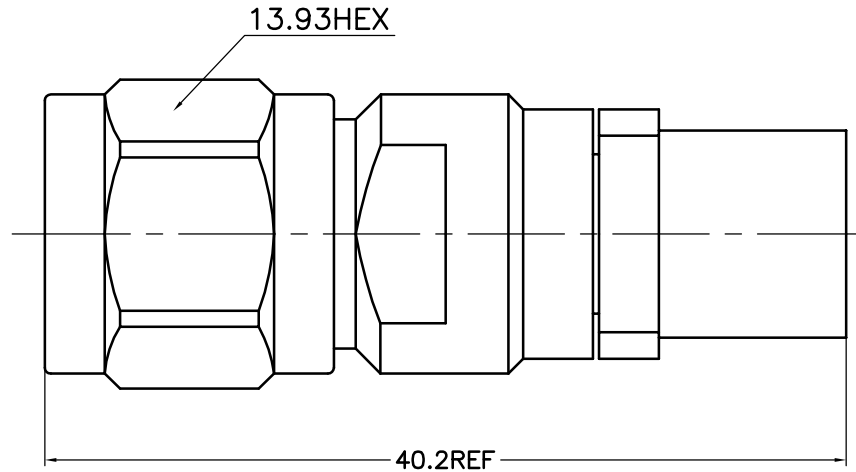


THIS DRAWING UNPUBLISHED.

RELEASED FOR PUBLICATION

LOC		DIST		REVISIONS			DATE	DWN	APVD
P	LTR								
-	-	-	-	-	-	-	-	-	



NOTES:

1.ELECTRICAL:

- 1.1 IMPEDANCE: 50Ω
- 1.2 INSULATION RESISTANCE: 5000MΩ MIN
- 1.3 FREQUENCY RANGE: DC~18GHz
- 1.4 DIELECTRIC WITHSTANDING VOLTAGE: 1500V MAX AT SEA LEVEL
- 1.5 VSWR ≤ 1.20:1 @ 18GHz
- 1.6 INSERTION LOSS: 0.05 √FREQUENCY

2.ENVIRONMENTAL:

TEMPERATURE RANGE: -55° to +165°

3.MATERIAL AND FINISH:

BODY: STAINLESS STEEL TYPE 303, PASSIVATE
 NUT: STAINLESS STEEL TYPE 303, PASSIVATE
 CENTER CONTACT: BRASS, GOLD PLATING
 DIELECTRIC: PTFE, N/A

THIS DRAWING IS A CONTROLLED DOCUMENT.		DWN	DWP	18/07/2009	Micable Inc.		
		CHK					
DIMENSIONS MM	TOLERANCES UNLESS OTHERWISE SPECIFIED:	APVD			NAME		
	0 PLC ±0.25	PRODUCT SPEC			TNC PLUG TO		
	1 PLC ±0.15	APPLICATION SPEC			LL335 CABLE		
	2 PLC ±0.12	SIZE	CAGE CODE	DRAWING NO	A3 00779 C-20090010		
	3 PLC ±	WEIGHT			SCALE 4:1 SHEET 1 OF 1 RVE 1		
	4 PLC ±	CUSTOMER DRAWING					
	ANGLES ±1°						
MATERIAL	FINISH						
SEE TABLE	SEE TABLE						