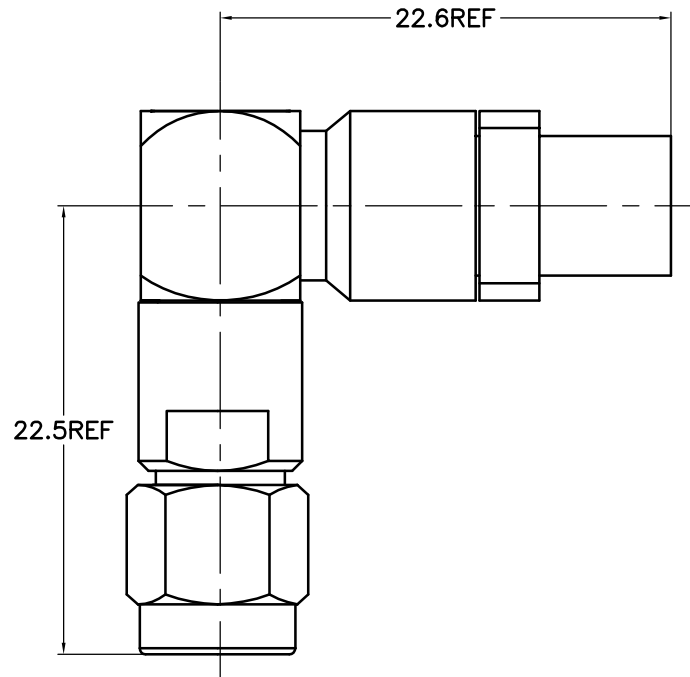


THIS DRAWING UNPUBLISHED.

RELEASED FOR PUBLICATION

LOC		DIST		REVISIONS			DATE	DWN	APVD
P	LTR								
-	-	-	-	-	-	-	-	-	



NOTES:

1.ELECTRICAL:

- 1.1 IMPEDANCE: 50Ω
- 1.2 INSULATION RESISTANCE:5000MΩ MIN
- 1.3 FREQUENCY RANGE: DC~18GHz
- 1.4 DIELECTRIC WITHSTANDING VOLTAGE: 1000V MAX AT SEA LEVEL
- 1.5 VSWR≤1.20:1@18GHz
- 1.6 INSERTION LOSS: 0.05√FREQUENCY

2.ENVIRONMENTAL:

TEMPERATURE RANGE: -55° to +165°

3.MATERIAL AND FINISH:

BODY: STAINLESS STEEL TYPE 303, PASSIVATE
 NUT: STAINLESS STEEL TYPE 303, PASSIVATE
 CENTER CONTACT: BERYLLIUM COPPER,
 GOLD PLATING
 DIELECTRIC: PTFE, N/A

THIS DRAWING IS A CONTROLLED DOCUMENT.		DWN DWP	12/08/2008	Micable Inc.	
		CHK			
DIMENSIONS MM	TOLERANCES UNLESS OTHERWISE SPECIFIED:	APVD	NAME		
	0 PLC ±0.25	PRODUCT SPEC	SMA PLUG RA TO LL235 CABLE		
	1 PLC ±0.15	APPLICATION SPEC	SIZE	CAGE CODE	DRAWING NO
	2 PLC ±0.12		A3	00779	20090008
	3 PLC ±	WEIGHT			
	4 PLC ±				
	ANGLES ±1°				
MATERIAL	FINISH	CUSTOMER DRAWING		SCALE	SHEET
SEE TABLE	SEE TABLE			4: 1	1 OF 1
				RVE	1