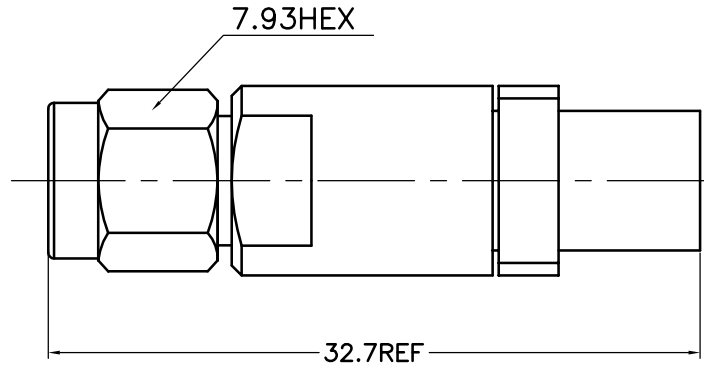


THIS DRAWING UNPUBLISHED.

RELEASED FOR PUBLICATION

LOC		DIST		REVISIONS			DATE	DWN	APVD
P	LTR								
-	-	-	-	-	-	-	-	-	



NOTES:

1.ELECTRICAL:

- 1.1 IMPEDANCE: 50Ω
- 1.2 INSULATION RESISTANCE:5000MΩ MIN
- 1.3 FREQUENCY RANGE: DC~30GHz
- 1.4 DIELECTRIC WITHSTANDING VOLTAGE: 1000V MAX AT SEA LEVEL
- 1.5 VSWR≤1.2:1@30GHz
- 1.6 INSERTION LOSS: 0.05√FREQUENCY

2.ENVIRONMENTAL:

TEMPERATURE RANGE: -55° to +165°

3.MATERIAL AND FINISH:

BODY: STAINLESS STEEL TYPE 303, PASSIVATE
 NUT: STAINLESS STEEL TYPE 303, PASSIVATE
 CENTER CONTACT: BRASS, GOLD PLATING
 DIELECTRIC: PTFE, N/A

THIS DRAWING IS A CONTROLLED DOCUMENT.		DWN DWP	15/08/2008	Micable Inc.		
		CHK				
DIMENSIONS MM	TOLERANCES UNLESS OTHERWISE SPECIFIED:	APVD	NAME 2.92mm PLUG TO A05 CABLE			
	0 PLC ±0.25 1 PLC ±0.15 2 PLC ±0.12 3 PLC ± 4 PLC ± ANGLES ±1°	PRODUCT SPEC				
MATERIAL	FINISH	APPLICATION SPEC	SIZE	CAGE CODE	DRAWING NO	
SEE TABLE	SEE TABLE	WEIGHT	A3	00779	20090005	
CUSTOMER DRAWING			SCALE	4: 1	SHEET	1 OF 1 RVE 1