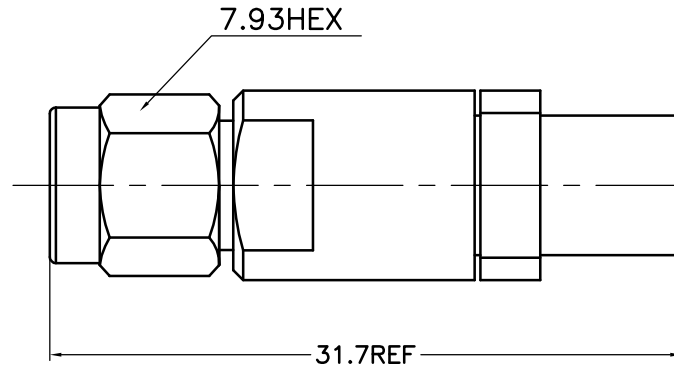


THIS DRAWING UNPUBLISHED.

RELEASED FOR PUBLICATION

LOC		DIST		REVISIONS			DATE	DWN	APVD
P	LTR								
-	-	-	-	-	-	-	-	-	



NOTES:

1.ELECTRICAL:

- 1.1 IMPEDANCE: 50Ω
- 1.2 INSULATION RESISTANCE:5000MΩ MIN
- 1.3 FREQUENCY RANGE: DC~27GHz
- 1.4 DIELECTRIC WITHSTANDING VOLTAGE: 1000V MAX AT SEA LEVEL
- 1.5 VSWR≤1.15:1@27GHz
- 1.6 INSERTION LOSS: 0.05√FREQUENCY

2.ENVIRONMENTAL:

TEMPERATURE RANGE: -55° to +165°

3.MATERIAL AND FINISH:

BODY: STAINLESS STEEL TYPE 303, PASSIVATE
 NUT: STAINLESS STEEL TYPE 303, PASSIVATE
 CENTER CONTACT: BRASS, GOLD PLATING
 DIELECTRIC: PTFE, N/A

THIS DRAWING IS A CONTROLLED DOCUMENT.		DWN	DWP	15/01/2000	Micable Inc.		
		CHK					
DIMENSIONS MM		TOLERANCES UNLESS OTHERWISE SPECIFIED:			DRAWING NO		
		0 PLC ±0.25			SIZE		
		1 PLC ±0.15			CAGE CODE		
MATERIAL		2 PLC ±0.12			DRAWING NO		
		3 PLC ±			A3		
SEE TABLE		4 PLC ±			00779		
		ANGLES ±1°			G-20090001		
SEE TABLE		FINISH			CUSTOMER DRAWING		
		WEIGHT			SCALE 4: 1		
		CUSTOMER DRAWING			SHEET 1 OF 1		
					RVE 1		