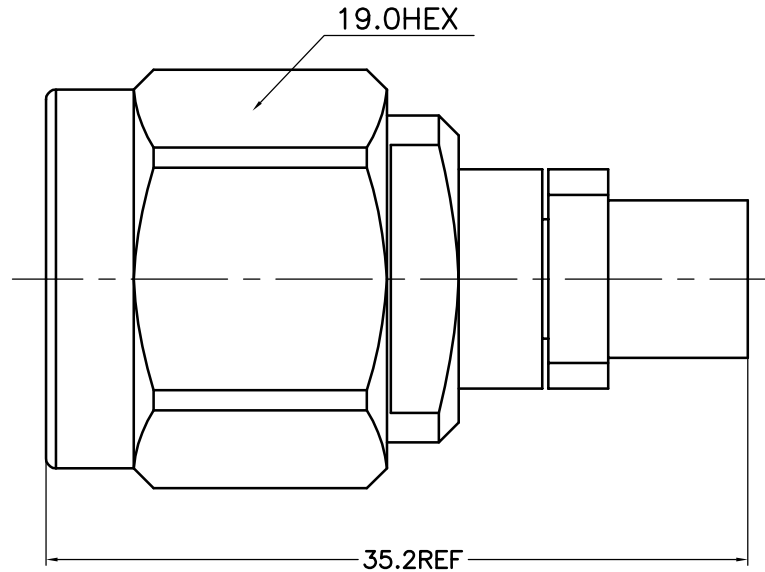


THIS DRAWING UNPUBLISHED.

RELEASED FOR PUBLICATION

LOC		DIST		REVISIONS			DATE	DWN	APVD
-	-	-	-	P	LTR		-	-	-



NOTES:

1.ELECTRICAL:

- 1.1 IMPEDANCE: 50Ω
- 1.2 INSULATION RESISTANCE: 5000MΩ MIN
- 1.3 FREQUENCY RANGE: DC~18GHz
- 1.4 DIELECTRIC WITHSTANDING VOLTAGE: 1500V MAX AT SEA LEVEL
- 1.5 VSWR ≤ 1.15:1 @ 18GHz
- 1.6 INSERTION LOSS: 0.05 √FREQUENCY

2.ENVIRONMENTAL:

TEMPERATURE RANGE: -55° to +165°

3.MATERIAL AND FINISH:

BODY: STAINLESS STEEL TYPE 303, PASSIVATE
 NUT: STAINLESS STEEL TYPE 303, PASSIVATE
 CENTER CONTACT: BRASS, GOLD PLATING
 DIELECTRIC: PTFE, N/A

THIS DRAWING IS A CONTROLLED DOCUMENT.		DWN DWP	29/10/2008	Micable Inc.	
DIMENSIONS MM		CHK	APVD		
TOLERANCES UNLESS OTHERWISE SPECIFIED:		PRODUCT SPEC		SIZE	
0 PLC ±0.25		APPLICATION SPEC		CAGE CODE	DRAWING NO
1 PLC ±0.15		WEIGHT		A3	00779
2 PLC ±0.12		CUSTOMER DRAWING		20080006	
3 PLC ±		SCALE 4: 1		SHEET 1 OF 1	
4 PLC ±		RVE 1			
ANGLES ±1°					
MATERIAL SEE TABLE					
FINISH SEE TABLE					