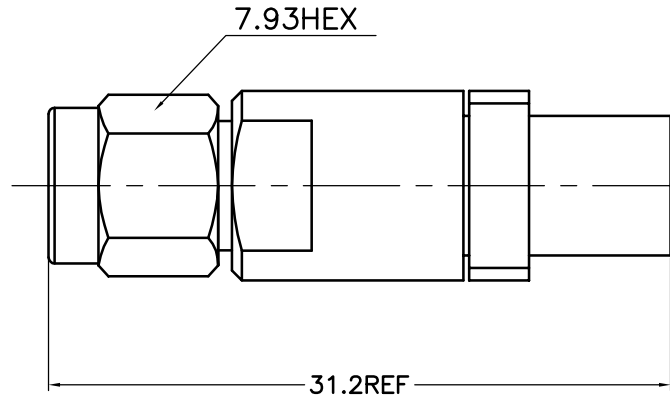


THIS DRAWING UNPUBLISHED.

RELEASED FOR PUBLICATION

LOC		DIST		REVISIONS			DATE	DWN	APVD
P	LTR								
-	-	-	-	-	-	-	-	-	



NOTES:

1.ELECTRICAL:

- 1.1 IMPEDANCE: 50Ω
- 1.2 INSULATION RESISTANCE: 5000MΩ MIN
- 1.3 FREQUENCY RANGE: DC~27GHz
- 1.4 DIELECTRIC WITHSTANDING VOLTAGE: 1000V MAX AT SEA LEVEL
- 1.5 VSWR ≤ 1.15:1 @ 27GHz
- 1.6 INSERTION LOSS: 0.05 √FREQUENCY

2.ENVIRONMENTAL:

TEMPERATURE RANGE: -55° to +165°

3.MATERIAL AND FINISH:

BODY: STAINLESS STEEL TYPE 303, PASSIVATE
 NUT: STAINLESS STEEL TYPE 303, PASSIVATE
 CENTER CONTACT: BRASS, GOLD PLATING
 DIELECTRIC: PTFE, N/A

THIS DRAWING IS A CONTROLLED DOCUMENT.		DWN DWP	18/10/2008	Micable Inc.		
		CHK				
DIMENSIONS MM	TOLERANCES UNLESS OTHERWISE SPECIFIED:	APVD		NAME SMA PLUG TO LL142 CABLE		
	0 PLC ±0.25 1 PLC ±0.15 2 PLC ±0.12 3 PLC ± 4 PLC ± ANGLES ±1°	PRODUCT SPEC		SIZE A3		
MATERIAL SEE TABLE	FINISH SEE TABLE	APPLICATION SPEC		CAGE CODE 00779	DRAWING NO 20080005	
		WEIGHT		SCALE 4: 1 SHEET 1 OF 1 RVE 1		
		CUSTOMER DRAWING				