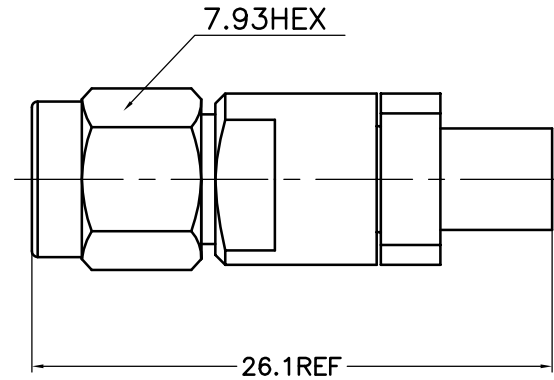


THIS DRAWING UNPUBLISHED.

RELEASED FOR PUBLICATION

LOC		DIST		REVISIONS			DATE	DWN	APVD
P	LTR								
-	-	-	-	-	-	-	-	-	



NOTES:

1.ELECTRICAL:

- 1.1 IMPEDANCE: 50Ω
- 1.2 INSULATION RESISTANCE:5000MΩ MIN
- 1.3 FREQUENCY RANGE: DC~27GHz
- 1.4 DIELECTRIC WITHSTANDING VOLTAGE: 1000V MAX AT SEA LEVEL
- 1.5 VSWR≤1.15:1@27GHz
- 1.6 INSERTION LOSS: 0.05√FREQUENCY

2.ENVIRONMENTAL:

TEMPERATURE RANGE: -55° to +165°

3.MATERIAL AND FINISH:

BODY: STAINLESS STEEL TYPE 303, PASSIVATE  
 NUT: STAINLESS STEEL TYPE 303, PASSIVATE  
 CENTER CONTACT: BRASS, GOLD PLATING  
 DIELECTRIC: PTFE, N/A

THIS DRAWING IS A CONTROLLED DOCUMENT.		DWN DWP	29/08/2008		Micable Inc.				
		CHK							
DIMENSIONS MM		TOLERANCES UNLESS OTHERWISE SPECIFIED:		NAME SMA PLUG TO SS402 CABLE					
		0 PLC	±0.25	PRODUCT SPEC					
		1 PLC	±0.15	APPLICATION SPEC					
MATERIAL		FINISH		SIZE	CAGE CODE	DRAWING NO			
SEE TABLE		SEE TABLE		A3	00779	20080004			
CUSTOMER DRAWING				SCALE	4: 1	SHEET	1 OF 1	RVE	1