

THIS DRAWING UNPUBLISHED.

RELEASED FOR PUBLICATION

4

3

2

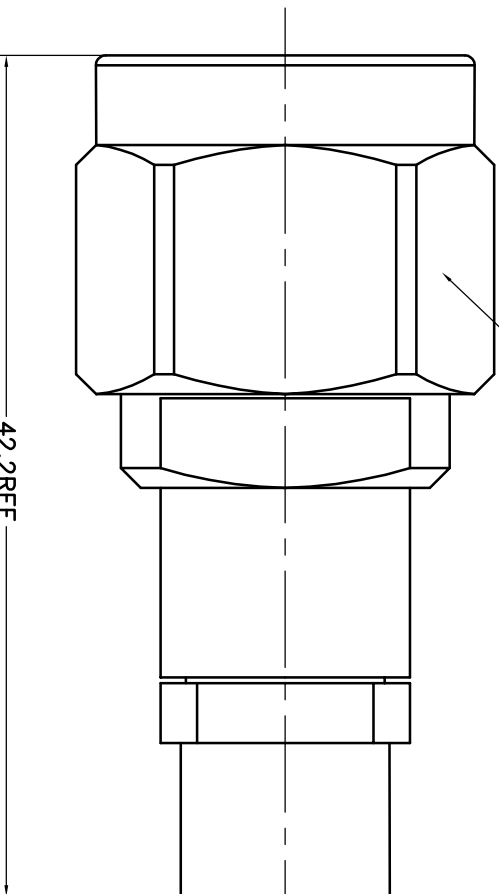
1

REVISIONS

LOC	REV	P	LN	DATE	DMN	APPD
-	-	-	-	-	-	-

D

19.0HEX



C

C

NOTES:

1.ELECTRICAL:

- 1.1 IMPEDANCE: 50Ω
- 1.2 INSULATION RESISTANCE:5000MΩ MIN
- 1.3 FREQUENCY RANGE: DC~18GHZ
- 1.4 DIELECTRIC WITHSTANDING VOLTAGE: 1500V MAX AT SEA LEVEL
- 1.5 VSWR≤1.2:1@18GHz
- 1.6 INSERTION LOSS: 0.05 √FREQUENCY

B

B

2.ENVIRONMENTAL:

TEMPERATURE RANGE: -55° to +165°

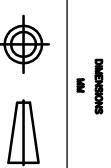
3.MATERIAL AND FINISH:

BODY: STAINLESS STEEL TYPE 303, PASSIVATE
 NUT: STAINLESS STEEL TYPE 303, PASSIVATE
 CENTER CONTACT: BRASS, GOLD PLATING
 DIELECTRIC: PTFE, N/A

A

A

THIS DRAWING IS A CONTROLLED DOCUMENT.



DIMENSIONS

TOLERANCES UNLESS OTHERWISE SPECIFIED

- 1 P/C ±0.025
- 2 P/C ±0.012
- 3 P/C ±
- 4 P/C ±
- ANGLES ±1°

FINISH

SEE TABLE

SEE TABLE

DMN DWP 10/09/2008

CHK

APPD

PRODUCT SPEC

APPLICATION SPEC

WEIGHT

CUSTOMER DRAWING

Micable Inc.

TYPE N PLUG TO LL335I CABLE

NAME

SIZE

A3

DATE CODE

00779

DRAWING NO

20080002

SCALE

4: 1

SHEET

1

OF

1

TOTAL

1